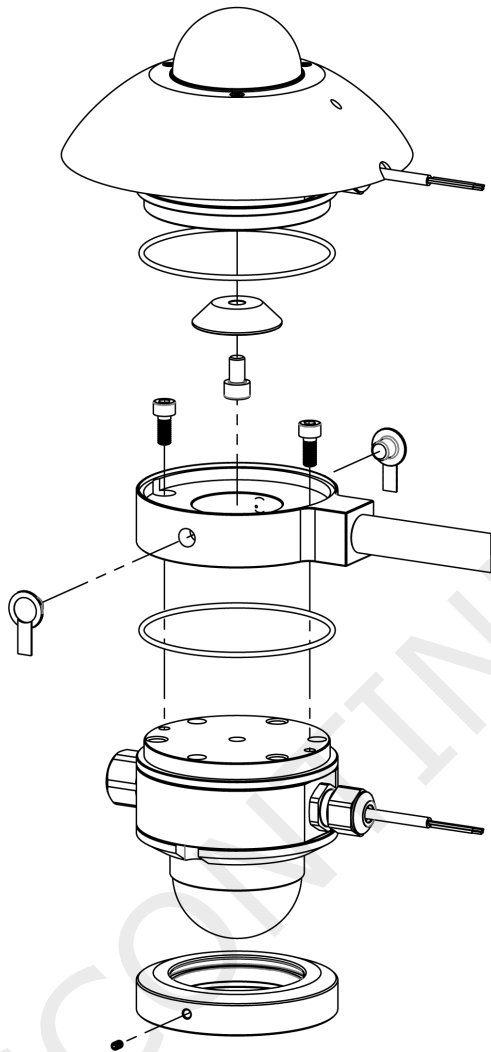


# SRA11 ALBEDOMETER MOUNTING AND FIXATION INSTRUCTION

*SRA11 albedometer consists of two SR11 first class pyranometers, one sun screen and one fixture with rod. Mounting hardware and tools are included. Please use this instruction sheet to mount and fixate the components of SRA11. Please consult the SR11 manual for more information on the sensor and its use.*



**Figure 0.1** SRA11 mounting and fixation steps 1-5

## Included

- (2 x) SR11 first class pyranometer
- (1 x) glare screen
- (1 x) fixture with rod (diameter 15 mm)
- (2 x) o-ring
- (1 x) conical positioner
- (2 x) plug (pre-mounted)
- (2 x) M5x12 socket head cap screw
- (1 x) M6x10 socket head cap screw
- (2 x) M6x12 set screw (pre-mounted)

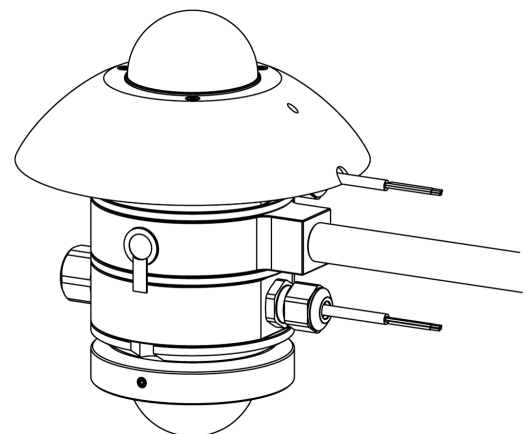
## Tools required

- hex key nr. 2 (mm)
- hex key nr. 3 (mm)
- hex key nr. 4 (mm)
- hex key nr. 5 (mm)

## Mounting and fixation steps 1 to 5

*Mind the safety of the glass domes at each step!*

1. Remove sensor feet.
2. Remove sun screen from down facing sensor.
3. Install glare screen on down facing sensor.
4. Remove plugs from fixture.
5. Mount the downward facing SR11 (sensor without sun screen) to the fixture with rod using two M5x12 screws and hex key nr. 4. Ensure that one o-ring is positioned properly between sensor and fixture.
6. Affix the conical positioner to the upward facing SR11 (sensor with sun screen) using one M6x10 screw and hex key nr 5.
7. Mount the upward facing SR11 (with its sun screen and conical positioner) to the fixture. Ensure that one o-ring is positioned properly between sensor and fixture. Affix with the pre-mounted M6 screws using hex key nr. 3.
8. Place plugs. Mounting SRA11 is complete.



**Figure 0.2** SRA11 albedometer ready for installation