

ALBEDOMETER MOUNTING INSTRUCTION FOR 1 x AMF02 and 2 x SR20(-D2)

Out of two SR20(-D2) pyranometers and one AMF02 albedometer mounting kit you can construct an (SRA20-D2) albedometer yourself. This instruction sheet shows how. Included in the AMF02 kit are one glare screen and one fixture with rod. Mounting hardware and tools are also included. Please use this instruction sheet to mount and fixate the components of SRA20-D2. Please consult the SR20(-D2) user manual for more information on the sensor and its use.

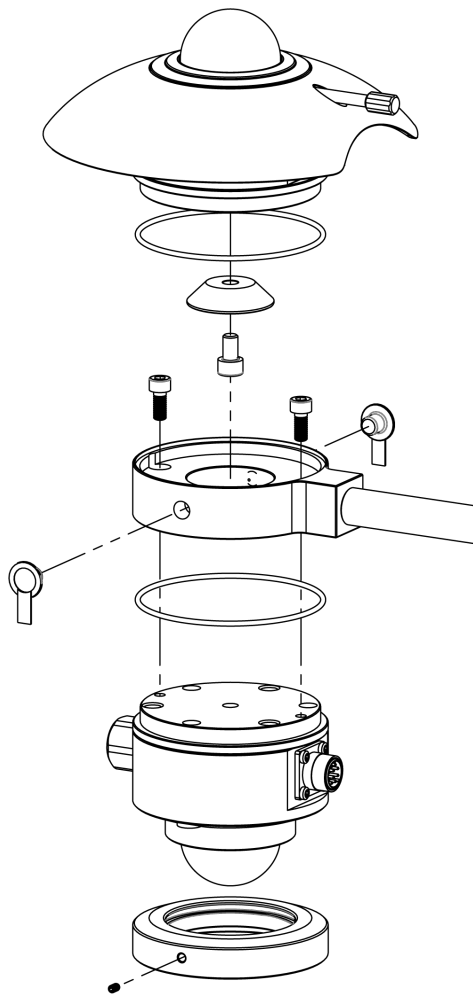


Figure 0.1 SRA20-D2 mounting and fixation steps 1-8.

Sensors

(2 x) SR20(-D2) spectrally flat Class A pyranometer

Included with AMF02

(1 x) glare screen
(1 x) fixture with rod (diameter 15 mm)
(2 x) o-ring
(1 x) conical positioner
(2 x) plug
(2 x) M5x12 socket head cap screw
(1 x) M6x10 socket head cap screw
(2 x) M6x12 set screw

Tools required

- hex key nr. 2 (2 mm)
- hex key nr. 3 (3 mm)
- hex key nr. 4 (4 mm)
- hex key nr. 5 (5 mm)

Mounting and fixation steps 1 to 8

Mind the safety of the glass domes at each step!

1. Remove sensor feet of both sensors.
2. Remove sun screen from downfacing sensor.
3. Install glare screen on downfacing sensor.
4. Remove plugs from fixture.
5. Mount the downward facing SR20(-D2) (sensor with glare screen) to the fixture with rod using two M5x12 screws. Ensure that one o-ring is positioned properly between sensor and fixture.
6. Affix the conical positioner to the upward facing SR20(-D2) (sensor with sun screen) using one M6x10 screw.
7. Mount the upward facing SR20(-D2) (with its sun screen and conical positioner) to the fixture. Ensure that one o-ring is positioned properly between sensor and fixture. Affix with the M6x12 screws.
8. Place plugs. Mounting SRA20-D2 is complete.

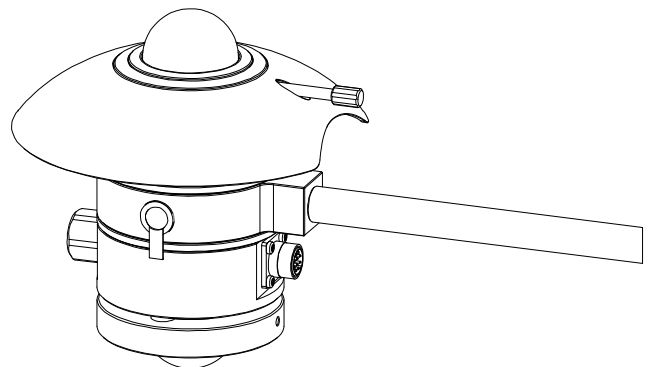


Figure 0.2 SRA20-D2 albedometer ready for installation.

ALBEDOMETER MOUNTING INSTRUCTION FOR 1 x AMF02 and 2 x SR11

Out of two SR11 pyranometers and one AMF02 albedometer mounting kit you can construct an (SRA11) albedometer yourself. This instruction sheet shows how. Included in the AMF02 kit are one glare screen and one fixture with rod. Mounting hardware and tools are also included. Please use this instruction sheet to mount and fixate the components of SRA11. Please consult the SR11 user manual for more information on the sensor and its use.

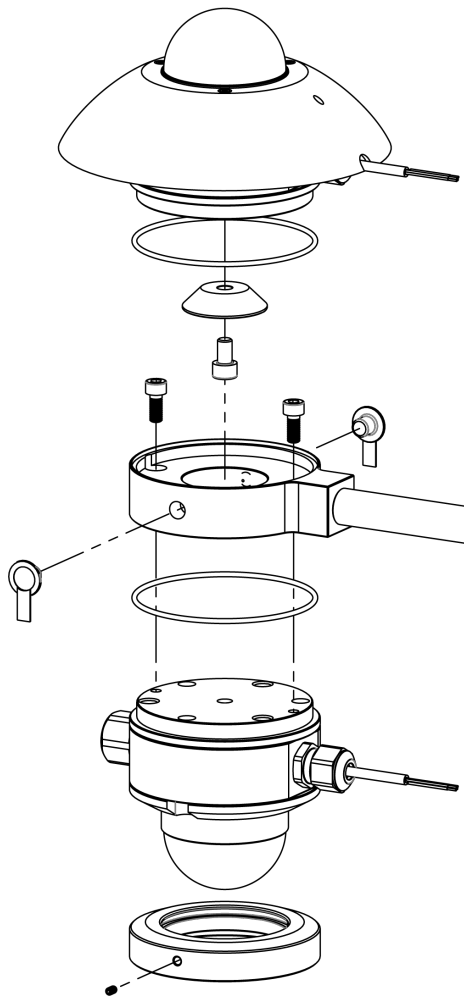


Figure 0.3 SRA11 mounting and fixation steps 1-8.

Sensors

(2 x) SR11 first class pyranometer

Included with AMF02

(1 x) glare screen

(1 x) fixture with rod (diameter 15 mm)

(2 x) o-ring

(1 x) conical positioner

(2 x) plug

(2 x) M5x12 socket head cap screw

(1 x) M6x10 socket head cap screw

(2 x) M6x12 set screw

Tools required

- hex key nr. 2 (2 mm)
- hex key nr. 3 (3 mm)
- hex key nr. 4 (4 mm)
- hex key nr. 5 (5 mm)

Mounting and fixation steps 1 to 8

Mind the safety of the glass domes at each step!

1. Remove sensor feet of both sensors.
2. Remove sun screen from downfacing sensor.
3. Install glare screen on downfacing sensor.
4. Remove plugs from fixture.
5. Mount the downward facing SR11 (sensor with glare screen) to the fixture with rod using two M5x12 screws and hex key nr. 4. Ensure that one o-ring is positioned properly between sensor and fixture.
6. Affix the conical positioner to the upward facing SR11 (sensor with sun screen) using one M6x10 screw and hex key nr 5.
7. Mount the upward facing SR11 (with its sun screen and conical positioner) to the fixture. Ensure that one o-ring is positioned properly between sensor and fixture. Affix with the M6x12 screws using hex key nr. 3.
8. Place plugs. Mounting SRA11 is complete.

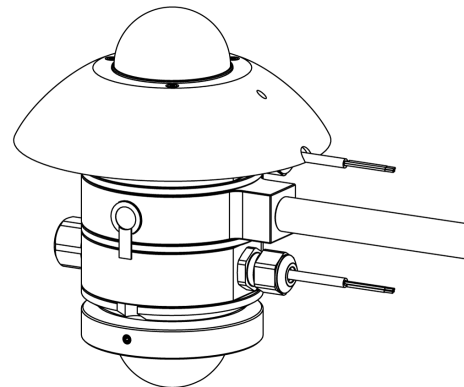


Figure 0.4 SRA11 albedometer ready for installation.