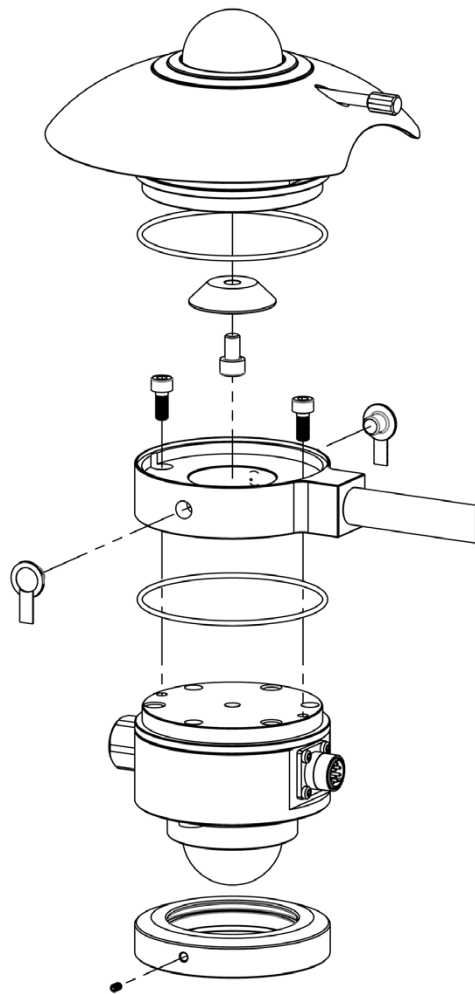


# SRA20-D2 ALBEDOMETER MOUNTING AND FIXATION INSTRUCTION

*SRA20-D2 albedometer consists of two SR20-D2 secondary standard pyranometers, one sun screen, one glare screen and one fixture with rod. Mounting hardware and tools are included. Please use this instruction sheet to mount and fixate the components of SRA20-D2. Please consult the SR20-D2 manual for more information on the sensor and its use.*



**Figure 0.1** SRA20-D2 mounting and fixation steps 1-5

## Included

- (2 x) SR20-D2 secondary standard pyranometer
- (1 x) glare screen
- (1 x) fixture with rod (diameter 15 mm)
- (2 x) o-ring
- (1 x) conical positioner
- (2 x) plug (pre-mounted)
- (2 x) M5x12 socket head cap screw
- (1 x) M6x10 socket head cap screw
- (2 x) M6x12 set screw (pre-mounted)

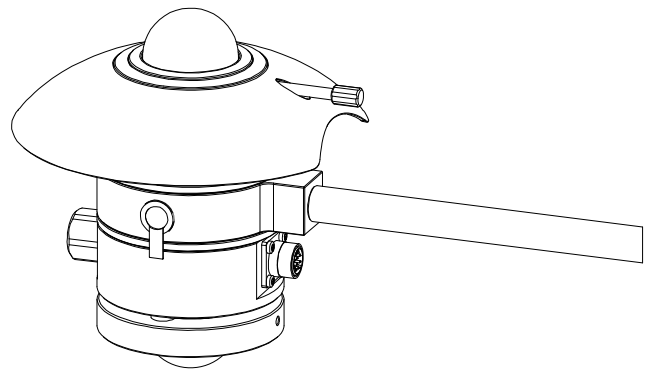
## Tools required

- hex key nr. 2 (2 mm)
- hex key nr. 3 (3 mm)
- hex key nr. 4 (4 mm)
- hex key nr. 5 (5 mm)

## Mounting and fixation steps 1 to 5

*Mind the safety of the glass domes at each step!*

1. remove sensor feet.
2. remove sun screen from down facing sensor.
3. install glare screen on down facing sensor.
4. Remove plugs from fixture.
5. Mount the downward facing SR20-D2 (sensor with glare screen) to the fixture with rod using two M5x12 screws. Ensure that one o-ring is positioned properly between sensor and fixture.
6. Affix the conical positioner to the upward facing SR20-D2 (sensor with sun screen) using one M6x10 screw.
7. Mount the upward facing SR20-D2 (with its sun screen and conical positioner) to the fixture. Ensure that one o-ring is positioned properly between sensor and fixture. Affix with the pre-mounted M6 screws.
8. Place plugs. Mounting SRA20-D2 is complete.



**Figure 0.2** SRA20-D2 albedometer ready for installation